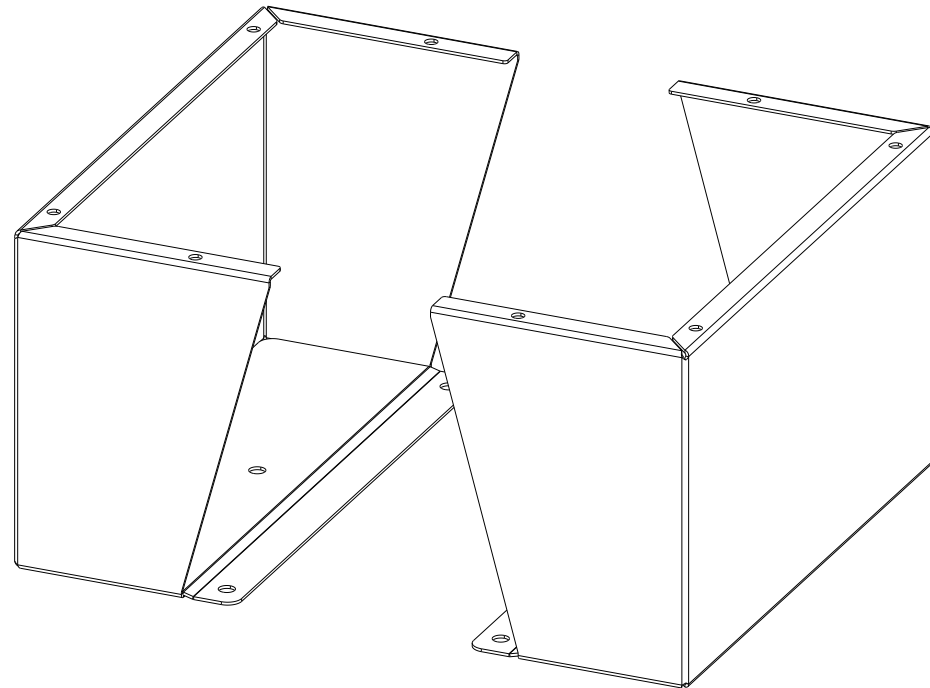
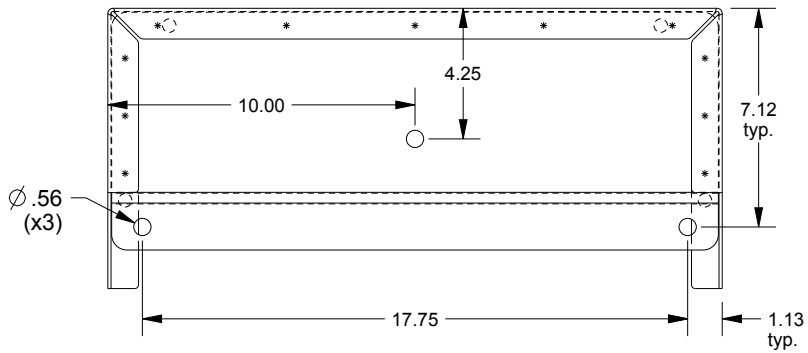
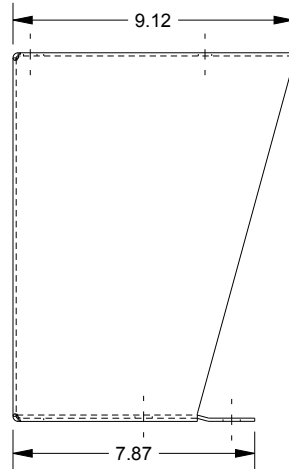
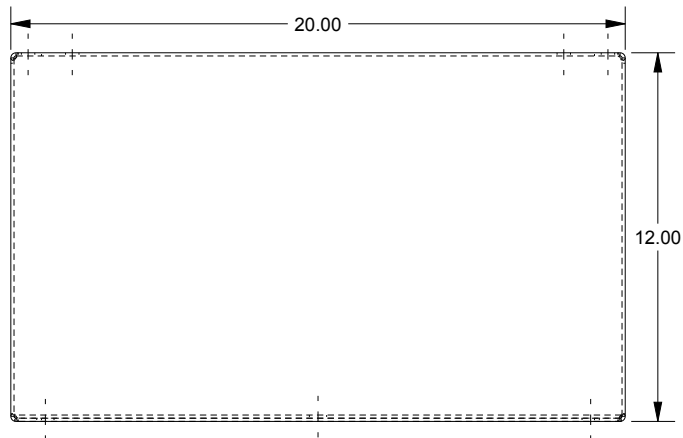
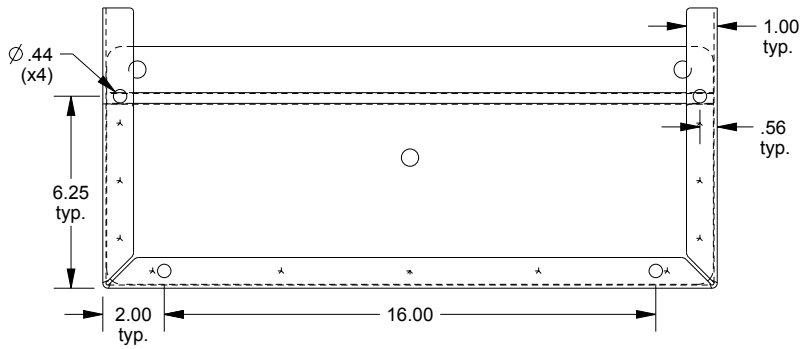


# SAGINAW CONTROL & ENGINEERING

## SCE-FK1220 = SCE-09 GRAY

## SCE-FK1220LG = RAL 7035



SCE-FK1220 ISOMETRIC VIEW